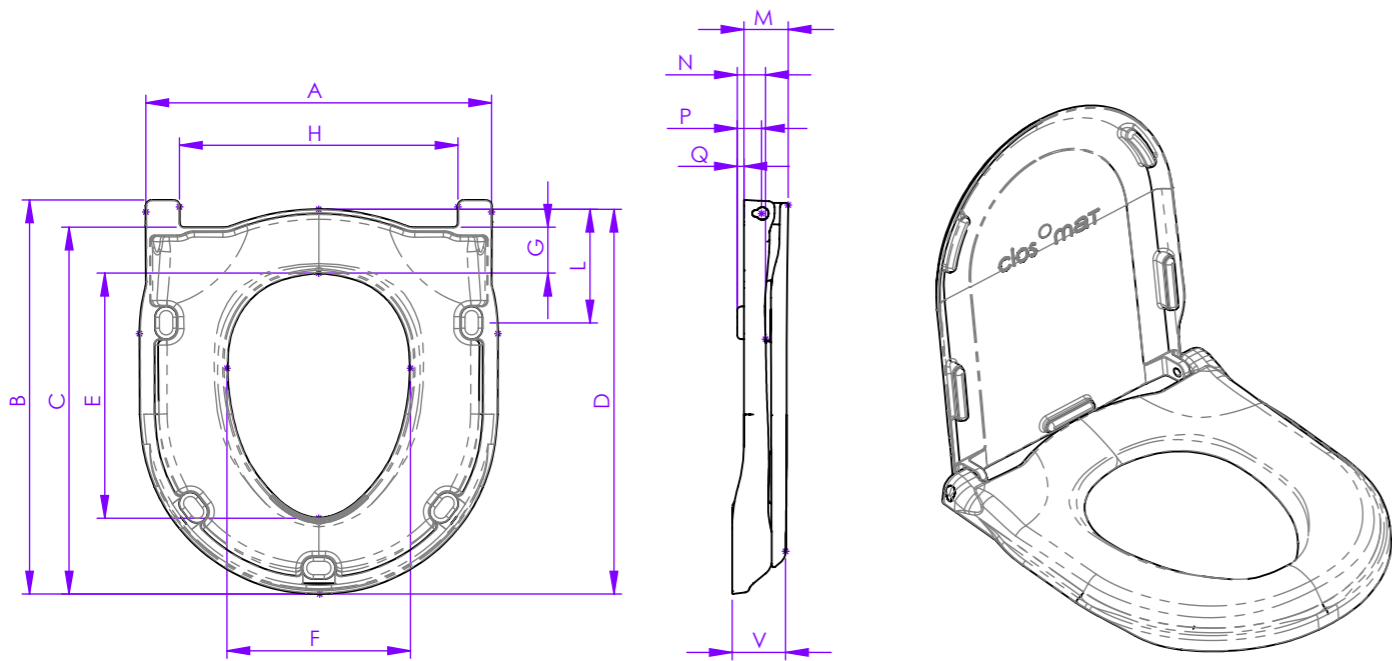
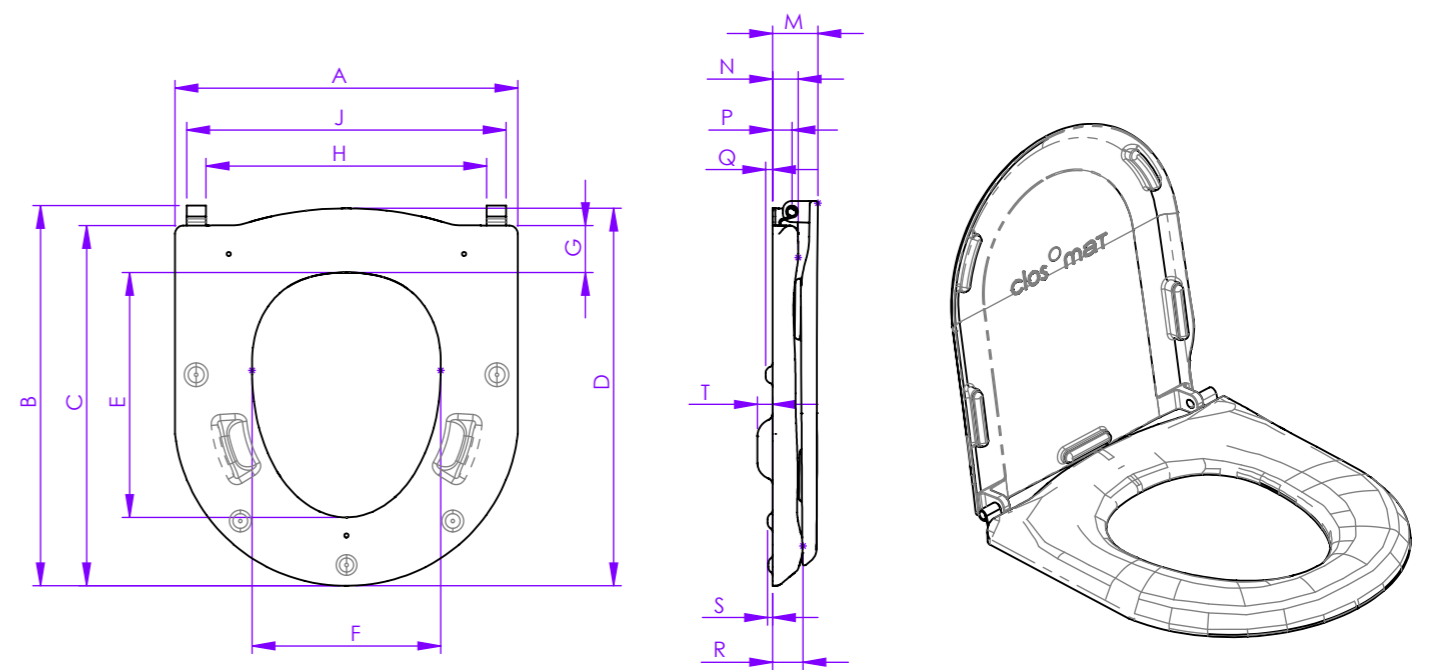


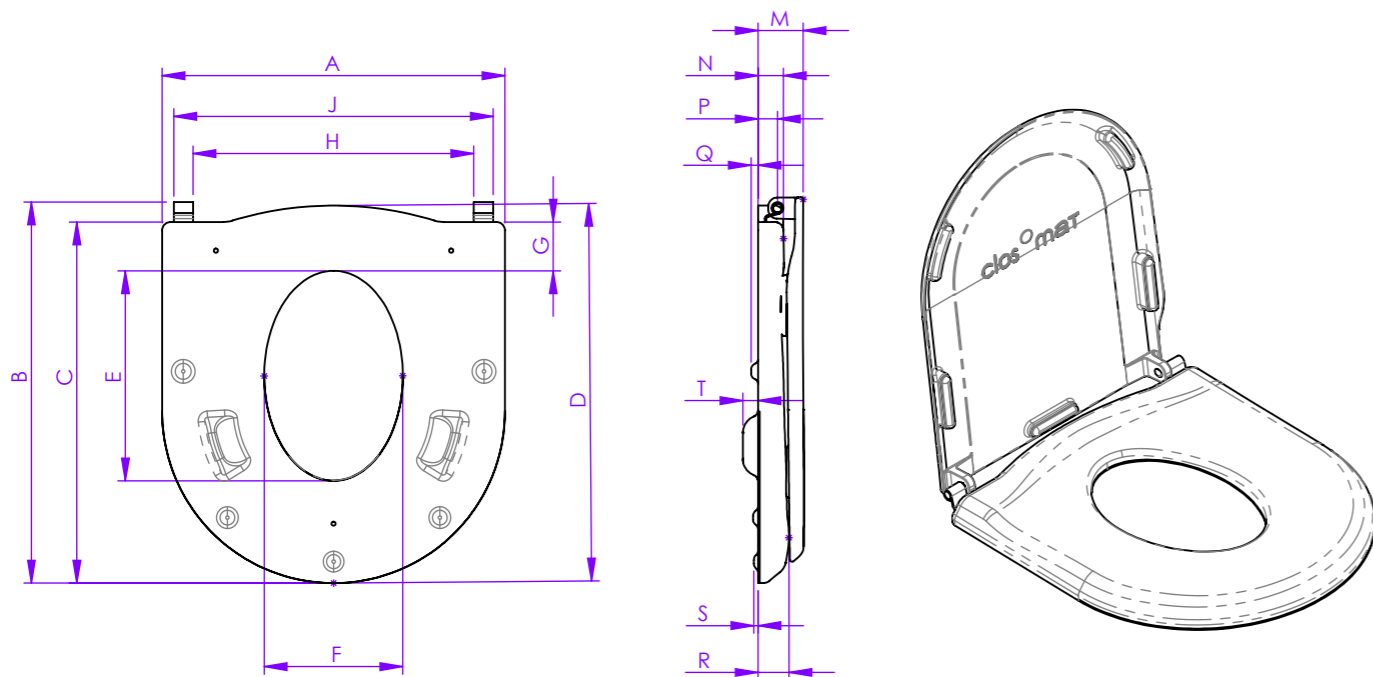
closomat Seat range overview drawing



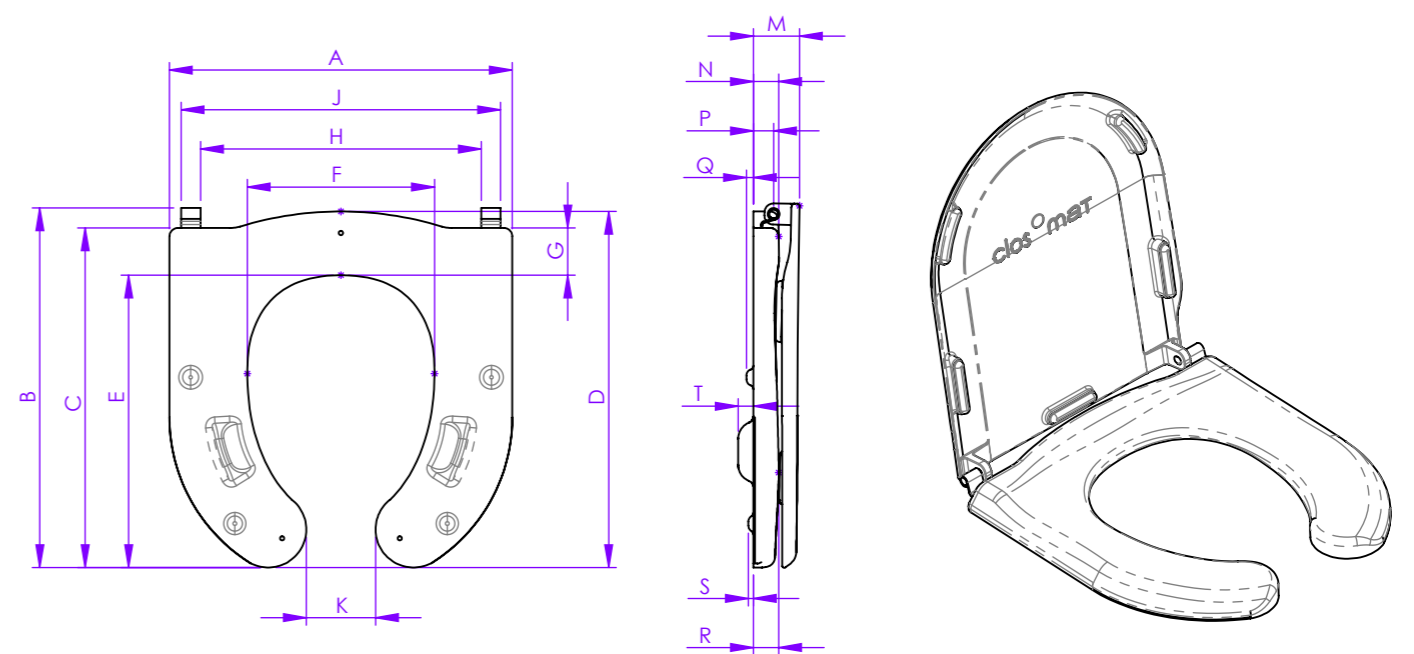
CPS-001-001
Standard Hard Palma Seat (White)
Side & 3d views shown with lid (White)



CS-107-040
Soft Adult Palma Seat (Blue)
Side & 3d views shown with lid (White)



CS-107-050
Soft Junior Palma Seat (Blue)
Side & 3d views shown with lid (White)



CS-107-030
Soft Horseshoe Palma Seat (Blue)
Side & 3d views shown with lid (White)

DIMENSION	DESCRIPTION	SEAT SIZES			
		HARD	SOFT ADULT	SOFT JUNIOR	SOFT HORSESHOE
A	O/A SEAT WIDTH	411	408	408	408
B	O/A SEAT LENGTH	469	452	453	428
C	SEAT LENGTH MINUS HINGE	437	429	430	404
D	SEAT LENGTH CTR LINE	458	449	449	424
E	SEAT OPENING LENGTH	292	291	250	348
F	SEAT OPENING WIDTH	219	225	165	223
G	REAR DISTANCE TO SEAT OPENING	55	56	58	56
H	WIDTH INSIDE HINGES	331	334	334	334
J	WIDTH OUTSDIDE HINGES - (SOFT SEATS)	N/A	380	380	380
K	SEAT FRONT OPENING WIDTH - (SOFT HORSESHOE SEAT)	N/A	N/A	N/A	83
L	SEAT BACK TO REAR BUFFER - (HARD SEAT)	135	N/A	N/A	N/A
M	SEAT & LID REAR HEIGHT - CLOSED	53	54	54	54
N	SEAT THICKNESS - NOMINAL @ SITTING POINT	37	30	30	30
P	HEIGHT TO SEAT PIVOT	32	23	23	23
Q	REAR BUFFER HEIGHT	11	8	8	8
R	SEAT FRONT MAX HEIGHT OVER SHAPING	N/A	36	37	30
S	FRONT BUFFER HEIGHT	N/A	6	6	6
T	SEAT SIDE TRANSFER BUFFER FEATURE HEIGHT - (SOFT SEATS)	N/A	18	18	18
V	O/A SEAT & LID FRONT HEIGHT WITH LIP - (HARD SEAT)	64	N/A	N/A	N/A

Table to be read in conjunction with issue D - 23/09/15 of Seat range overview drawing