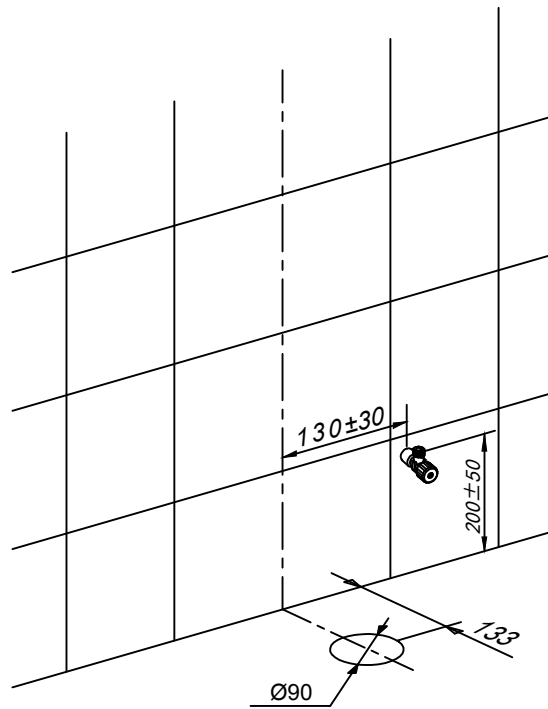
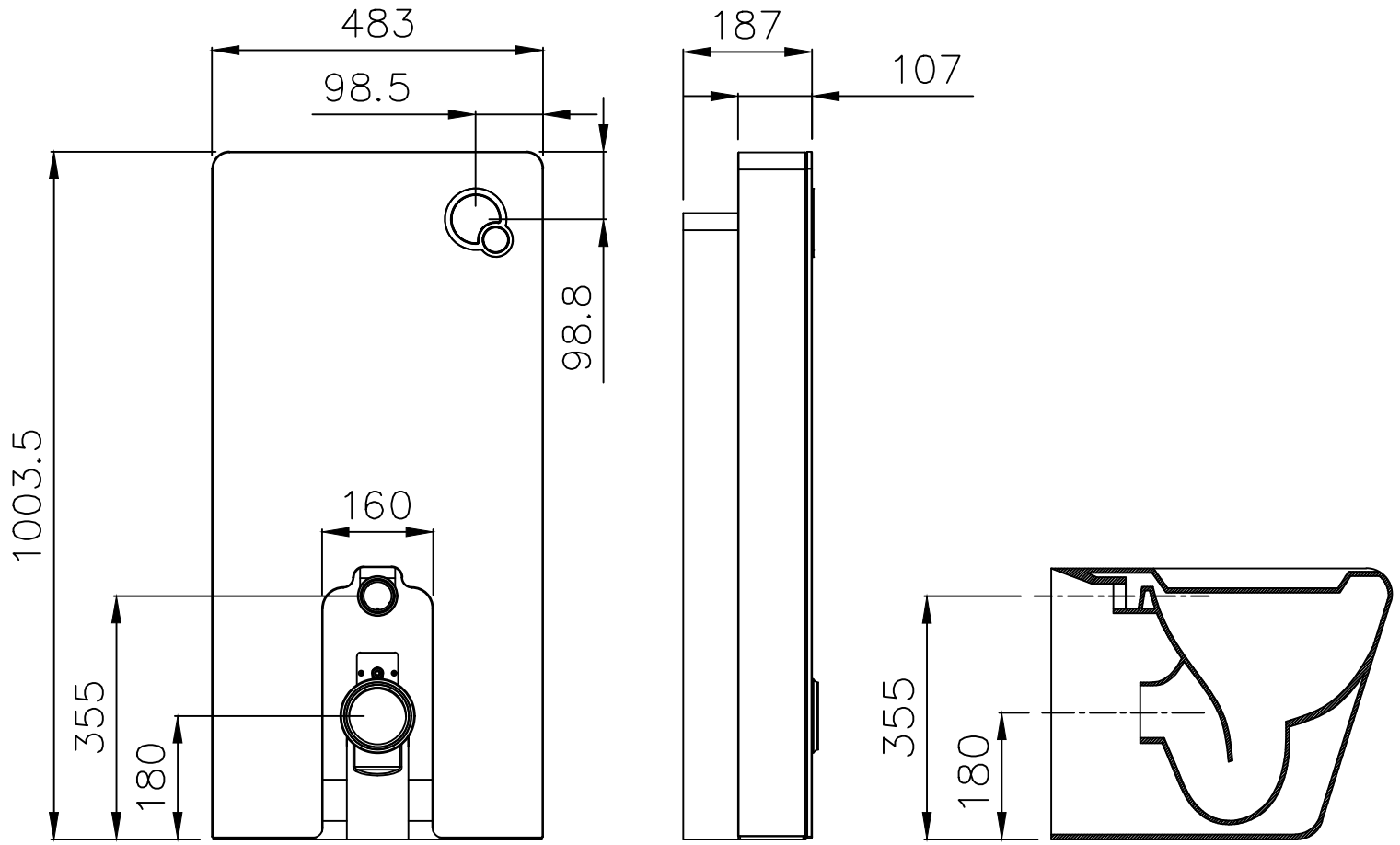


Technical Drawing



Technical drawing, inlet valve & flush valve connection

